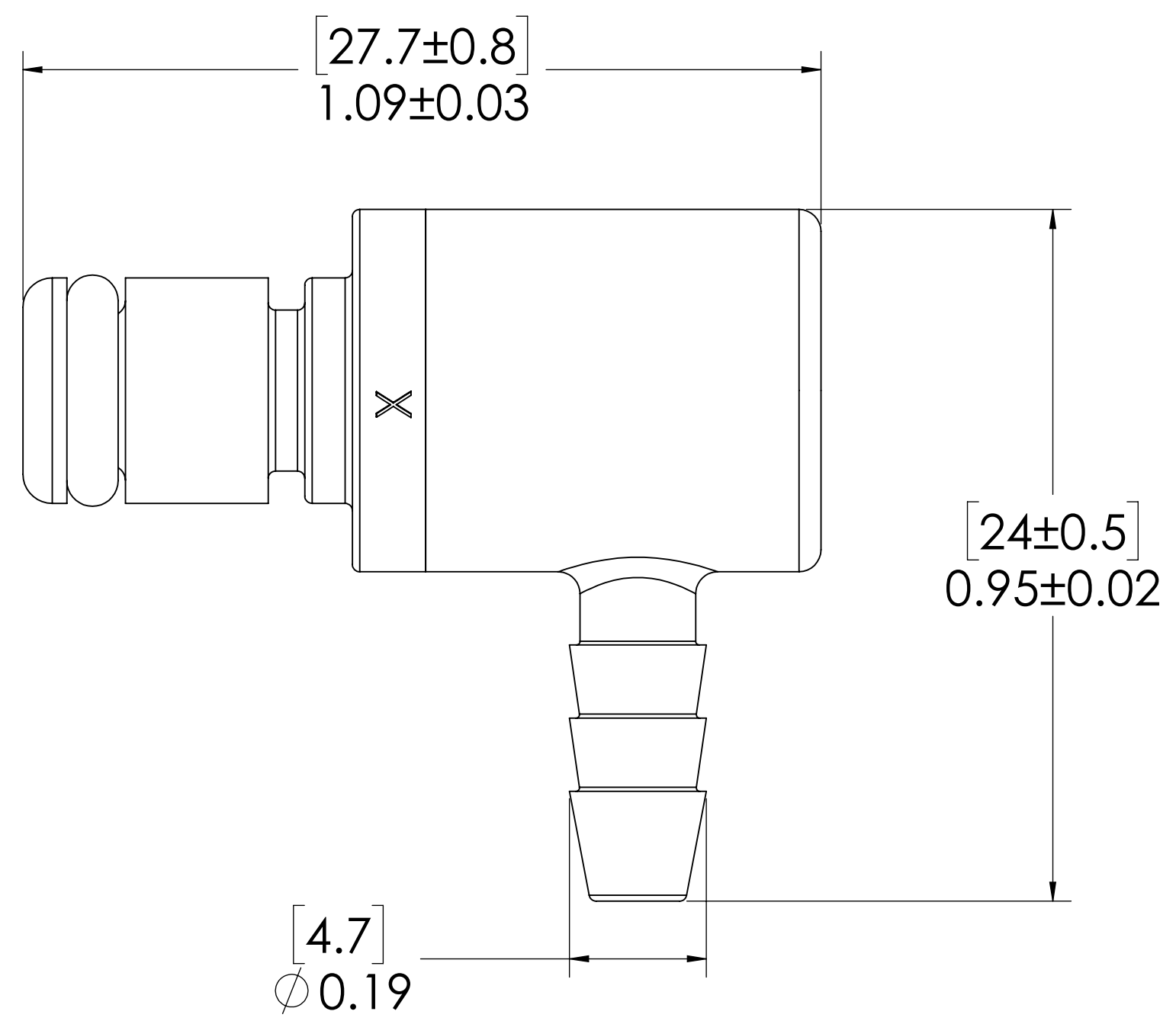
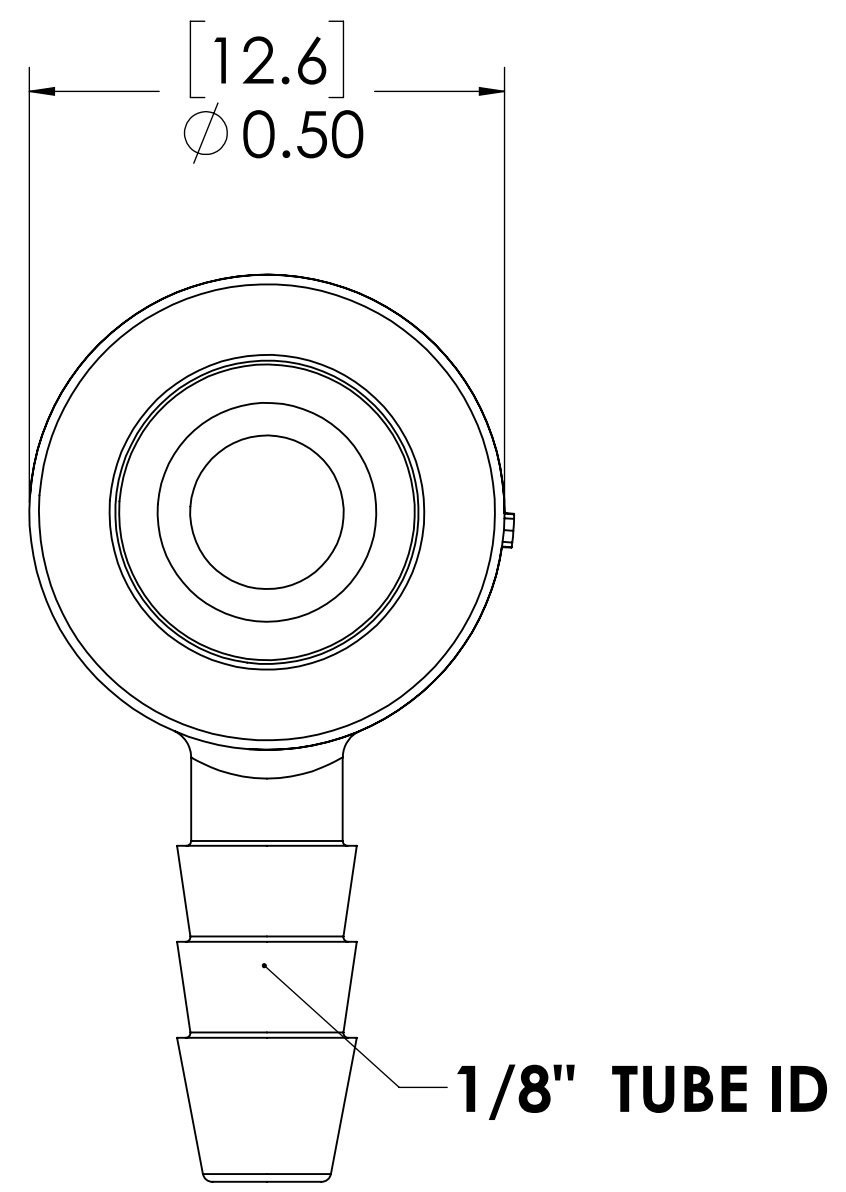
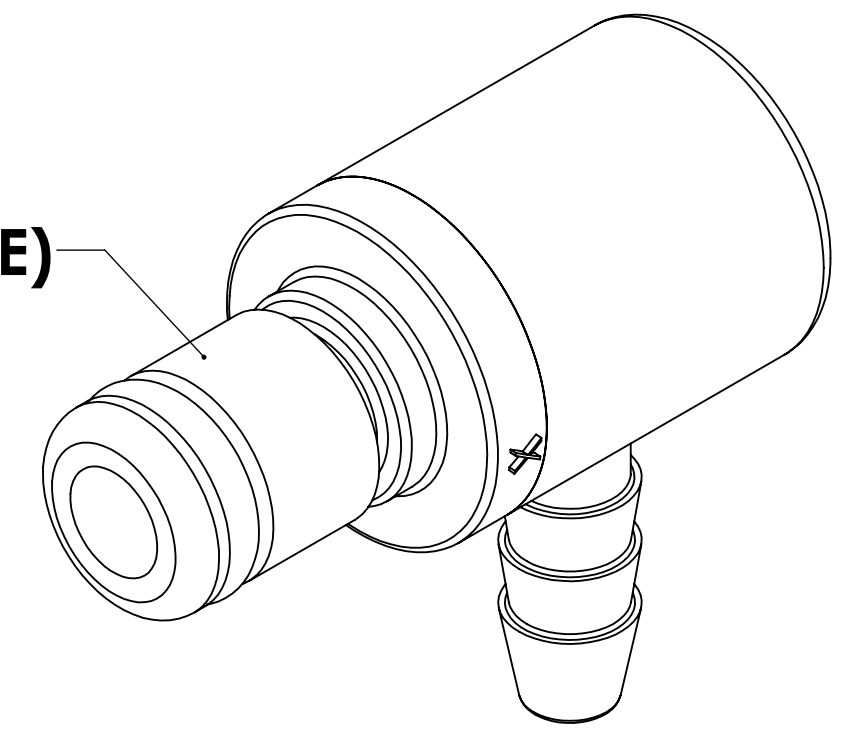


REVISIONS						
SHEET	ZONE	REV.	ECO	DESCRIPTION	DATE	APPROVED
1	ALL	A	50253	INITIAL RELEASE	8/17/2018	HRC

**PLUG,
(POLYPROPYLENE)**



- NOTES:**
1. MATERIAL: POLYPROPYLENE
 2. COLOR: MOLDED ALMOND
 3. O-RING MATERIAL: EPDM
 4. O-RINGS LUBRICATED WITH FOOD GRADE SILICONE OIL, 350 CST.

FOR REFERENCE ONLY

<small>UNLESS OTHERWISE SPECIFIED: DIMENSIONS ARE IN INCHES TOLERANCES: FRACTIONAL ± 1/32 ANGULAR: MACH ± 0.5 BEND ± 2 ONE PLACE DECIMAL ± 0.1 TWO PLACE DECIMAL ± 0.01 THREE PLACE DECIMAL ± 0.005 TWO PLACE DUAL (mm) [±0.12]</small>	DRAWN	CGS	4/18/18	
	CHECKED	HRC	4/18/18	
	ENG APPR.	HRC	8/17/18	
	MFG APPR.	BDB	8/17/18	
<small>PROPRIETARY AND CONFIDENTIAL</small>	Q.A.	LS	8/17/18	PART NO. 20PPX-PE4-02MALD DESCRIPTION: LinkTech 20PP Series Elbow Male, Non-valved, 1/8" HB, Molded Almond Color, Polypropylene
<small>THE INFORMATION CONTAINED IN THIS DRAWING IS THE SOLE PROPERTY OF LINKTECH LLC. ANY REPRODUCTION OR DISCLOSURE IN PART OR AS A WHOLE WITHOUT THE WRITTEN PERMISSION OF LINKTECH LLC IS STRICTLY PROHIBITED.</small>	COMMENTS:			SIZE DWG. NO. REV C 20PP200189 A
				SCALE: NTS WEIGHT: SHEET 1 OF 1